

1310 nm laser diode

Model 6: >500 mW / singlemode fiber / 14 pin Butterfly package

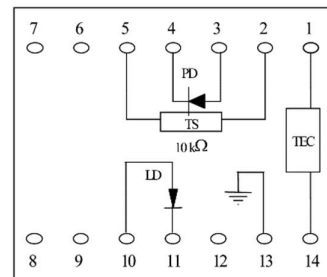
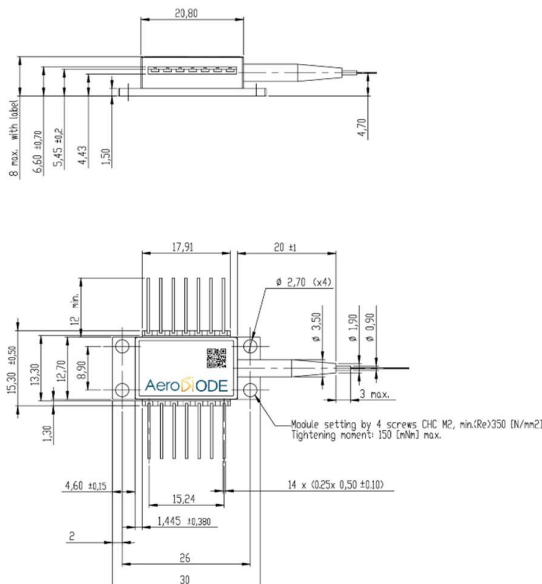
Reference: 1310LD-6-0-0-1/2

Technology : Fabry-Pérot*

SPECIFICATIONS	Unit	Min	Typ	Maximum
Output Power (CW mode)	mW	500	550	
Output Power (Pulse mode)	mW		650	
Center Wavelength (CW) No FBG / With FBG option	nm	1305 / (1309)	1310	1315 / (1311)
Spectral Width (FWHM) No FBG / with FBG option	nm		6 / (0.1)	12 / (0.5)
Threshold Current	mA		150	250
Operating Current	mA		1650	1900
Operation Voltage	V		1.9	2.2
Wavelength shift w Temperature (no FBG / With FBG OPTION)	nm/°C		0.2-0.5 / ~0	
Polarization extinction rate (PER)	dB	15	18	
Internal Photodiode Responsivity	mA/W	5		
Internal Photodiode Dark Current	nA			500
TEC current (-5/60°C)	A			3.0
TEC Voltage (-5/60°C)	V			4.0
Internal thermistor (25°C)	kOhm	9.5	10	10.5
Fiber type	Hi1060 (PM version: PM1300)			
Coating diameter	μm		900	
Fiber bend radius	mm	30		
Storage case temperature	°C	-40		70
Case operating temperature	°C	-20		60
Lead soldering temperature	°C		260	300
Laser diode reverse voltage	V			2
Pigtail termination	FC/APC connector (narrow key)			
Polarization state (PM version)	Aligned to the slow axis			

*: See our tutorial : [fiber coupled laser diode](#)

Form factor & Laser diode pinning (standard 14-pin Butterfly Type-1) :



Totally floating pin-out