

940nm laser diode

Model 1a: 100mW / singlemode fiber / 14 pin Butterfly package / SMF or PMF

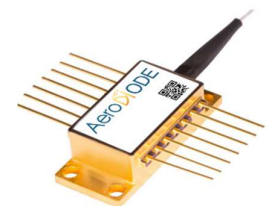
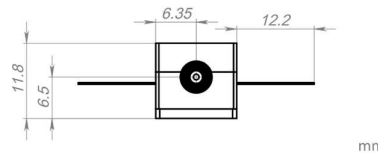
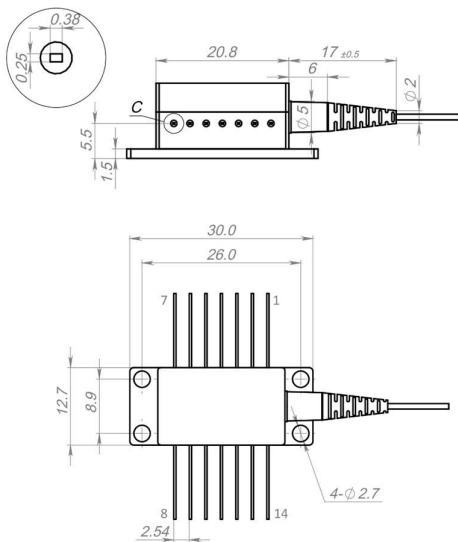
Reference: 940LD-1a-0-0 (-1: SMF ; -2: PMF)

Technology: Fabry-Pérot*

SPECIFICATIONS	Unit	Min	Typ	Maximum
Optical Power (CW)	mW	100	110	
Optical Power (pulse)	mW	160	170	
Center Wavelength	nm	930	940	950
Spectral Width	nm		1	3
Threshold Current	mA		40	60
Operating Current (CW)	mA		300	330
Operating Current (pulse)	mA		400	430
Operating Voltage	V		2.2	2.5
Wavelength shift w Temperature	nm/°C		0.38	
TEC current	A			1.4
TEC voltage	V			3.9
Internal thermistor (25°C)	kOhm		10	
Fiber type			Hi780	
OPTION 1: PM fiber			PM780	
Fiber connector			Yes (FC/APC)	
Polarization extinction ratio	dB	17		
Storage temperature	°C	-40		85
Operating case temperature	°C	-40		60
Laser diode reverse voltage	V			2

*: See our tutorial: [fiber coupled laser diode](#)

Form factor & laser diode pin configuration (standard 14-pin Butterfly Type-1):



PIN	FUNCTION	PIN	FUNCTION
1	TEC(+)	14	TEC(-)
2	THERMISTOR	13	CASE
3	NC	12	NC
4	NC	11	LD(-)
5	THERMISTOR	10	LD(+)
6	NC	9	NC
7	NC	8	NC

Emission spectrum & LIV

